

PRODUCT FACTSHEET

Cables for Extra Wind Resistance

This robust system not only provides UV protection and air flow, it is incredibly durable and provides the best option when fixing a channel to a wall is not possible. Featuring stainless steel cables perfect for seaside homes. The bottom rail moves up and down the cable guides creating a smooth operation.



02 4726 5700 | nepeanblinds.com.au
Unit 1/89 Batt Street, Penrith NSW 2750



NEPEAN

BLINDS & DOORS

CABLE GUIDE AWNINGS

Technical Info

Size Limitations

Control Type	Min Width	Min Drop	Max Width	Max Drop	Max Area
Manual Crank	1000	500	5000	4000	16 sqm
Motorisation	1000	500	5000	4000	16 sqm

Operating Options

Cable Guide Awnings can be operated by:

1. Manual Crank
2. Motorisation

Head Box Options

Choose from 3 head box styles

1. Closed head box
2. Open head box
3. No head box

Bottom Rail Accessories

Locking Bolt - Secures the awning into the side channel base, cable bracket or breaching staple. As the bolt is inserted inside the base rail, the system maintains its clean aesthetic, and allows the bottom rail to be positioned closer to the ground.

Hardware Colours

With 6 standard colours inspired by popular COLORBOND® colours, so your awning can complement most exteriors styles. Custom colours available.



Black
Inspired by: Night Sky®



Woodland Grey



Silver Pearl



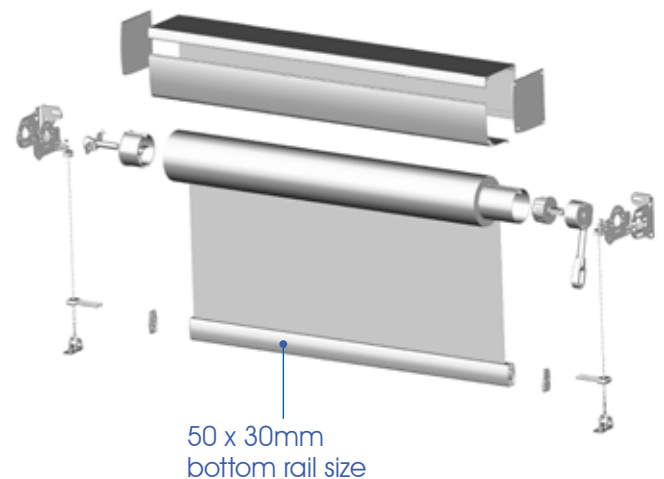
Paper Bark



Primrose



Pearl White
Inspired by: Classic Cream®



Extra Strength Cable

The cables are high tensile 2.5mm 316 grade marine stainless steel, making them perfect for coastal applications.

Fabrics

The Cable Guide Awning is available in numerous fabric types, giving options for light control whilst blocking those nasty UV rays.

Child Safe

The Awning's cables are fixed in place and do not hang loose, ensuring child-safety is maintained.

Satisfaction Guaranteed

Quality installation is assured with our specialist team, and peace of mind with a 3 year warranty.

Benefits



Close-up